

## Push Button & Rotary Switch Covers - S2153

Designed to increase the safety of power isolation

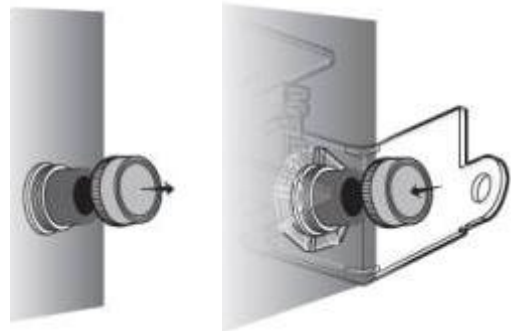
- ✓ Captured by the rotary or pushbutton switch bezel
- ✓ Strong transparent ABS body
- ✓ Fits both 30.5mm and 22.5mm diameter switches
- ✓ Accommodates buttons up to 40mm diameter and 45mm tall
- ✓ Clear base and cover allow visibility of nameplates and labels
- ✓ Permanently installed on panel



### Instructions for installation



**S2153 Installed Push Button  
and Rotary Switch Cover**



1. Pull out the button
2. Install the Push button cover
3. Put the push butto back on

**CAUTION :** These are not “lockouts,” but instead are “covers”. OSHA allows their use for tasks (see next page) that are routine, repetitive, and integral to the production process.

### *Technical features*

- Strong transparent ABS body
- Fits both 30.5mm and 22.5mm diameter switches
- Accommodates buttons up to 40mm diameter and 45mm tall
- S2153: 1 x Push button and rotary switch cover

# CAUTION

These are not “lockouts,” but instead are “covers”. OSHA allows their use for tasks (see below) that are routine, repetitive, and integral to the production process.

**Characteristics of these tasks:**

- Short in duration and minimal interruption to the production process
- Minor in nature
- Occur frequently during production
- Usually performed by operator, set-up, maintenance or service personnel
- Do not involve extensive disassembly
- Are predetermined cyclical activities
- Exist even when optimal operating levels are achieved
- Require task specific training for personnel

**Examples of these tasks:**

- Die or drill bit changes
- Jam clearing
- Conveyor clearing
- Lubrication
- Frequently Asked Questions
- Tool changes
- Minor cleaning
- Adjustments and set-up